



© International Baccalaureate Organization 2021

All rights reserved. No part of this product may be reproduced in any form or by any electronic or mechanical means, including information storage and retrieval systems, without the prior written permission from the IB. Additionally, the license tied with this product prohibits use of any selected files or extracts from this product. Use by third parties, including but not limited to publishers, private teachers, tutoring or study services, preparatory schools, vendors operating curriculum mapping services or teacher resource digital platforms and app developers, whether fee-covered or not, is prohibited and is a criminal offense.

More information on how to request written permission in the form of a license can be obtained from <https://ibo.org/become-an-ib-school/ib-publishing/licensing/applying-for-a-license/>.

© Organisation du Baccalauréat International 2021

Tous droits réservés. Aucune partie de ce produit ne peut être reproduite sous quelque forme ni par quelque moyen que ce soit, électronique ou mécanique, y compris des systèmes de stockage et de récupération d'informations, sans l'autorisation écrite préalable de l'IB. De plus, la licence associée à ce produit interdit toute utilisation de tout fichier ou extrait sélectionné dans ce produit. L'utilisation par des tiers, y compris, sans toutefois s'y limiter, des éditeurs, des professeurs particuliers, des services de tutorat ou d'aide aux études, des établissements de préparation à l'enseignement supérieur, des fournisseurs de services de planification des programmes d'études, des gestionnaires de plateformes pédagogiques en ligne, et des développeurs d'applications, moyennant paiement ou non, est interdite et constitue une infraction pénale.

Pour plus d'informations sur la procédure à suivre pour obtenir une autorisation écrite sous la forme d'une licence, rendez-vous à l'adresse <https://ibo.org/become-an-ib-school/ib-publishing/licensing/applying-for-a-license/>.

© Organización del Bachillerato Internacional, 2021

Todos los derechos reservados. No se podrá reproducir ninguna parte de este producto de ninguna forma ni por ningún medio electrónico o mecánico, incluidos los sistemas de almacenamiento y recuperación de información, sin la previa autorización por escrito del IB. Además, la licencia vinculada a este producto prohíbe el uso de todo archivo o fragmento seleccionado de este producto. El uso por parte de terceros —lo que incluye, a título enunciativo, editoriales, profesores particulares, servicios de apoyo académico o ayuda para el estudio, colegios preparatorios, desarrolladores de aplicaciones y entidades que presten servicios de planificación curricular u ofrezcan recursos para docentes mediante plataformas digitales—, ya sea incluido en tasas o no, está prohibido y constituye un delito.

En este enlace encontrará más información sobre cómo solicitar una autorización por escrito en forma de licencia: <https://ibo.org/become-an-ib-school/ib-publishing/licensing/applying-for-a-license/>.



**Mathematics: analysis and approaches**  
**Higher level**  
**Paper 2**

Friday 7 May 2021 (morning)

Candidate session number

2 hours

--	--	--	--	--	--	--	--	--	--

**Instructions to candidates**

- Write your session number in the boxes above.
- Do not open this examination paper until instructed to do so.
- A graphic display calculator is required for this paper.
- Section A: answer all questions. Answers must be written within the answer boxes provided.
- Section B: answer all questions in the answer booklet provided. Fill in your session number on the front of the answer booklet, and attach it to this examination paper and your cover sheet using the tag provided.
- Unless otherwise stated in the question, all numerical answers should be given exactly or correct to three significant figures.
- A clean copy of the **mathematics: analysis and approaches formula booklet** is required for this paper.
- The maximum mark for this examination paper is **[110 marks]**.

CLASES DE MATEMÁTICAS Y FÍSICA  
BACHILLERATO INTERNACIONAL  
WHATSAPP +51976438482  
WWW.TEOTEVES.COM



Full marks are not necessarily awarded for a correct answer with no working. Answers must be supported by working and/or explanations. Solutions found from a graphic display calculator should be supported by suitable working. For example, if graphs are used to find a solution, you should sketch these as part of your answer. Where an answer is incorrect, some marks may be given for a correct method, provided this is shown by written working. You are therefore advised to show all working.

**Section A**

Answer **all** questions. Answers must be written within the answer boxes provided. Working may be continued below the lines, if necessary.

1. [Maximum mark: 6]

At a café, the waiting time between ordering and receiving a cup of coffee is dependent upon the number of customers who have already ordered their coffee and are waiting to receive it.

Sarah, a regular customer, visited the café on five consecutive days. The following table shows the number of customers,  $x$ , ahead of Sarah who have already ordered and are waiting to receive their coffee and Sarah's waiting time,  $y$  minutes.

Number of customers ( $x$ )	3	9	11	10	5
Sarah's waiting time ( $y$ )	6	10	12	11	6

The relationship between  $x$  and  $y$  can be modelled by the regression line of  $y$  on  $x$  with equation  $y = ax + b$ .

- (a) (i) Find the value of  $a$  and the value of  $b$ . [3]
- (ii) Write down the value of Pearson's product-moment correlation coefficient,  $r$ . [3]
- (b) Interpret, in context, the value of  $a$  found in part (a)(i). [1]

On another day, Sarah visits the café to order a coffee. Seven customers have already ordered their coffee and are waiting to receive it.

- (c) Use the result from part (a)(i) to estimate Sarah's waiting time to receive her coffee. [2]

.....

.....

.....

.....

.....

.....

.....



16EP02







5. [Maximum mark: 7]

All living plants contain an isotope of carbon called carbon-14. When a plant dies, the isotope decays so that the amount of carbon-14 present in the remains of the plant decreases. The time since the death of a plant can be determined by measuring the amount of carbon-14 still present in the remains.

The amount,  $A$ , of carbon-14 present in a plant  $t$  years after its death can be modelled by  $A = A_0 e^{-kt}$  where  $t \geq 0$  and  $A_0, k$  are positive constants.

At the time of death, a plant is defined to have 100 units of carbon-14.

(a) Show that  $A_0 = 100$ . [1]

The time taken for half the original amount of carbon-14 to decay is known to be 5730 years.

(b) Show that  $k = \frac{\ln 2}{5730}$ . [3]

(c) Find, correct to the nearest 10 years, the time taken after the plant's death for 25% of the carbon-14 to decay. [3]

CLASES DE MATEMÁTICAS Y FÍSICA  
BACHILLERATO INTERNACIONAL  
WHATSAPP +51976438482  
WWW.TEOTEVES.COM

.....  
.....  
.....  
.....  
.....  
.....  
.....  
.....  
.....  
.....  
.....  
.....



16EP06

6. [Maximum mark: 6]

A continuous random variable  $X$  has the probability density function  $f_n$  given by

$$f_n(x) = \begin{cases} (n+1)x^n, & 0 \leq x \leq 1 \\ 0, & \text{otherwise} \end{cases}$$

where  $n \in \mathbb{R}$ ,  $n \geq 0$ .

(a) Show that  $E(X) = \frac{n+1}{n+2}$ . [2]

(b) Show that  $\text{Var}(X) = \frac{n+1}{(n+2)^2(n+3)}$ . [4]

CLASES DE MATEMÁTICAS Y FÍSICA  
BACHILLERATO INTERNACIONAL  
WHATSAPP +51976438482  
WWW.TEOTEVES.COM



16EP07

Turn over





8. [Maximum mark: 5]

Consider  $z = \cos \theta + i \sin \theta$  where  $z \in \mathbb{C}$ ,  $z \neq 1$ .

Show that  $\operatorname{Re}\left(\frac{1+z}{1-z}\right) = 0$ .

.....

.....

.....

.....

.....

.....

.....

.....

.....

.....

.....

.....

.....

.....

.....

.....

CLASES DE MATEMÁTICAS Y FÍSICA  
BACHILLERATO INTERNACIONAL  
WHATSAPP +51976438482  
WWW.TEOTEVES.COM



16EP09

Turn over



Do **not** write solutions on this page.

### Section B

Answer **all** questions in the answer booklet provided. Please start each question on a new page.

10. [Maximum mark: 15]

The flight times,  $T$  minutes, between two cities can be modelled by a normal distribution with a mean of 75 minutes and a standard deviation of  $\sigma$  minutes.

- (a) Given that 2% of the flight times are longer than 82 minutes, find the value of  $\sigma$ . [3]
- (b) Find the probability that a randomly selected flight will have a flight time of more than 80 minutes. [2]
- (c) Given that a flight between the two cities takes longer than 80 minutes, find the probability that it takes less than 82 minutes. [4]

On a particular day, there are 64 flights scheduled between these two cities.

- (d) Find the expected number of flights that will have a flight time of more than 80 minutes. [3]
- (e) Find the probability that more than 6 of the flights on this particular day will have a flight time of more than 80 minutes. [3]

CLASES DE MATEMÁTICAS Y FÍSICA  
BACHILLERATO INTERNACIONAL  
WHATSAPP +51976438482  
WWW.TEOTEVES.COM



16EP11

Turn over

Do **not** write solutions on this page.

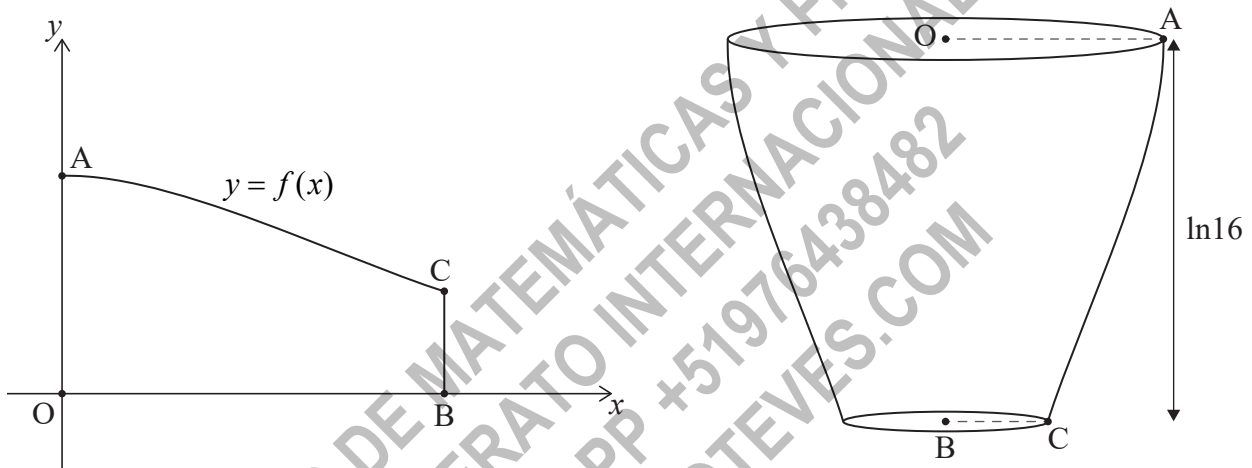
11. [Maximum mark: 18]

A function  $f$  is defined by  $f(x) = \frac{ke^{\frac{x}{2}}}{1+e^x}$  where  $x \in \mathbb{R}$ ,  $x \geq 0$  and  $k \in \mathbb{R}^+$ .

The region enclosed by the graph of  $y = f(x)$ , the  $x$ -axis, the  $y$ -axis and the line  $x = \ln 16$  is rotated  $360^\circ$  about the  $x$ -axis to form a solid of revolution.

(a) Show that the volume of the solid formed is  $\frac{15k^2\pi}{34}$  cubic units. [6]

Pedro wants to make a small bowl with a volume of  $300 \text{ cm}^3$  based on the result from part (a). Pedro's design is shown in the following diagrams.



The vertical height of the bowl,  $BO$ , is measured along the  $x$ -axis. The radius of the bowl's top is  $OA$  and the radius of the bowl's base is  $BC$ . All lengths are measured in cm.

(b) Find the value of  $k$  that satisfies the requirements of Pedro's design. [2]

(c) Find

(i)  $OA$ ;

(ii)  $BC$ . [4]

For design purposes, Pedro investigates how the cross-sectional radius of the bowl changes.

(d) (i) By sketching the graph of a suitable derivative of  $f$ , find where the cross-sectional radius of the bowl is decreasing most rapidly.

(ii) State the cross-sectional radius of the bowl at this point. [6]



Do **not** write solutions on this page.

12. [Maximum mark: 21]

A function  $f$  is defined by  $f(x) = \arcsin\left(\frac{x^2-1}{x^2+1}\right)$ ,  $x \in \mathbb{R}$ .

(a) Show that  $f$  is an even function. [1]

(b) By considering limits, show that the graph of  $y = f(x)$  has a horizontal asymptote and state its equation. [2]

(c) (i) Show that  $f'(x) = \frac{2x}{\sqrt{x^2(x^2+1)}}$  for  $x \in \mathbb{R}$ ,  $x \neq 0$ .

(ii) By using the expression for  $f'(x)$  and the result  $\sqrt{x^2} = |x|$ , show that  $f$  is decreasing for  $x < 0$ . [9]

A function  $g$  is defined by  $g(x) = \arcsin\left(\frac{x^2-1}{x^2+1}\right)$ ,  $x \in \mathbb{R}$ ,  $x \geq 0$ .

(d) Find an expression for  $g^{-1}(x)$ , justifying your answer. [5]

(e) State the domain of  $g^{-1}$ . [1]

(f) Sketch the graph of  $y = g^{-1}(x)$ , clearly indicating any asymptotes with their equations and stating the values of any axes intercepts. [3]

References:

© International Baccalaureate Organization 2021



16EP13

Please **do not** write on this page.

Answers written on this page  
will not be marked.

CLASES DE MATEMÁTICAS Y FÍSICA  
BACHILLERATO INTERNACIONAL  
WHATSAPP +51976438482  
WWW.TEOTEVES.COM



16EP14

Please **do not** write on this page.

Answers written on this page  
will not be marked.

CLASES DE MATEMÁTICAS Y FÍSICA  
BACHILLERATO INTERNACIONAL  
WHATSAPP +51976438482  
WWW.TEOTEVES.COM



16EP15



Please **do not** write on this page.

Answers written on this page  
will not be marked.

CLASES DE MATEMÁTICAS Y FÍSICA  
BACHILLERATO INTERNACIONAL  
WHATSAPP +51976438482  
WWW.TEOTEVES.COM



16EP16